

~~CONNECT TO MAIN ADDRESS~~  
~~ADP ADDRESS~~  
~~NR~~

REAR VIEW  
250K ON AND WITH  
250K ON AND WITH  
250K ON AND WITH

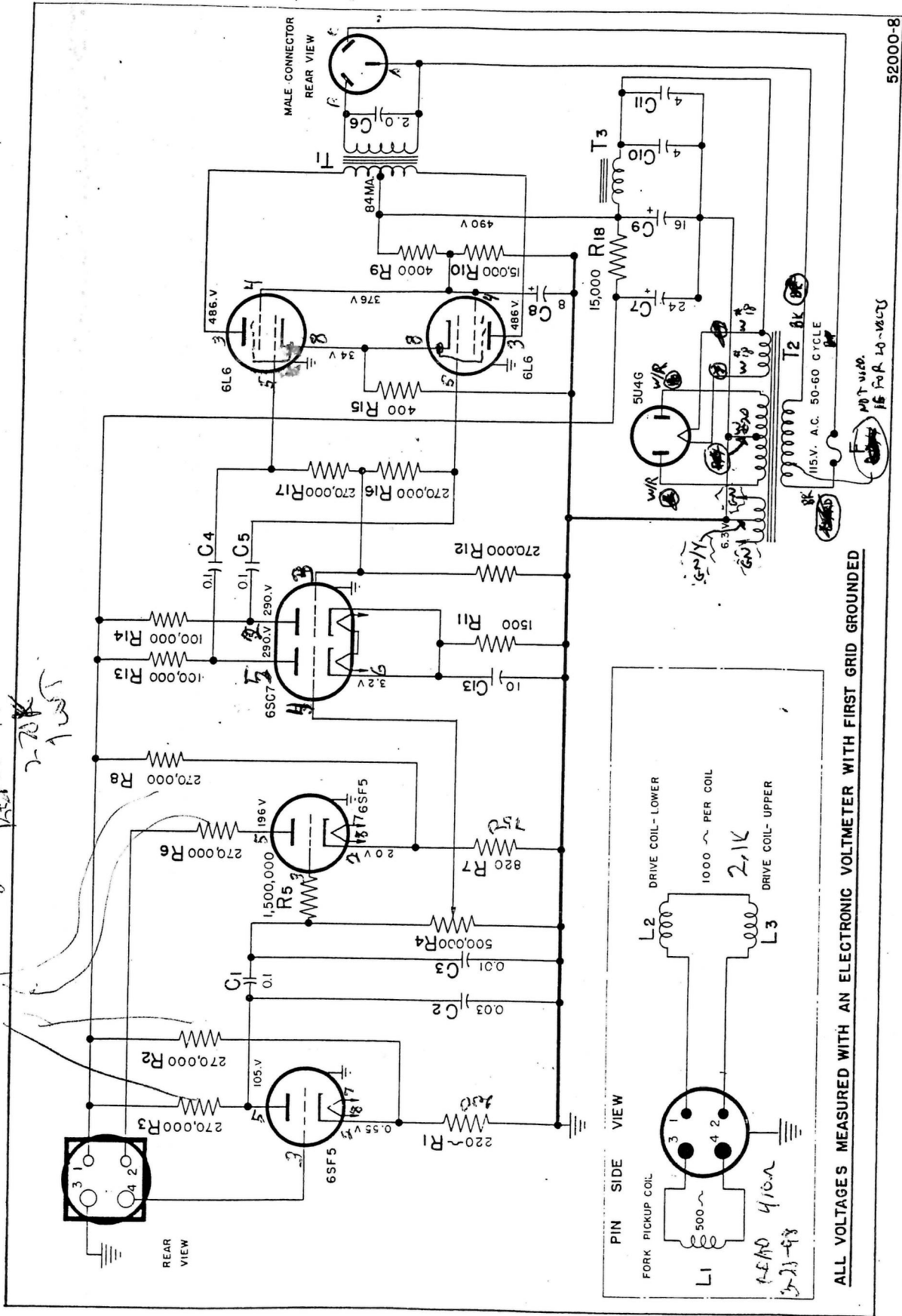


Figure 8—Schematic Diagram of Tuning Unit